

Technical Data Sheet

Date: 04/26/2022

Page: 1/3

TYPE 2 - 16A GT Car Charger Socket

Ref. No: 3500-110-0300

Technical Informations

Rated Current	16A
Protection Class	IP 54
Arrangement of Phases	(2P + PP + WN + L1 + GPE)
Rated Voltage	250 / 480 V.
Insulation Voltage	500 V.
Mean Time to Failure	10.000 (No-load Operation)

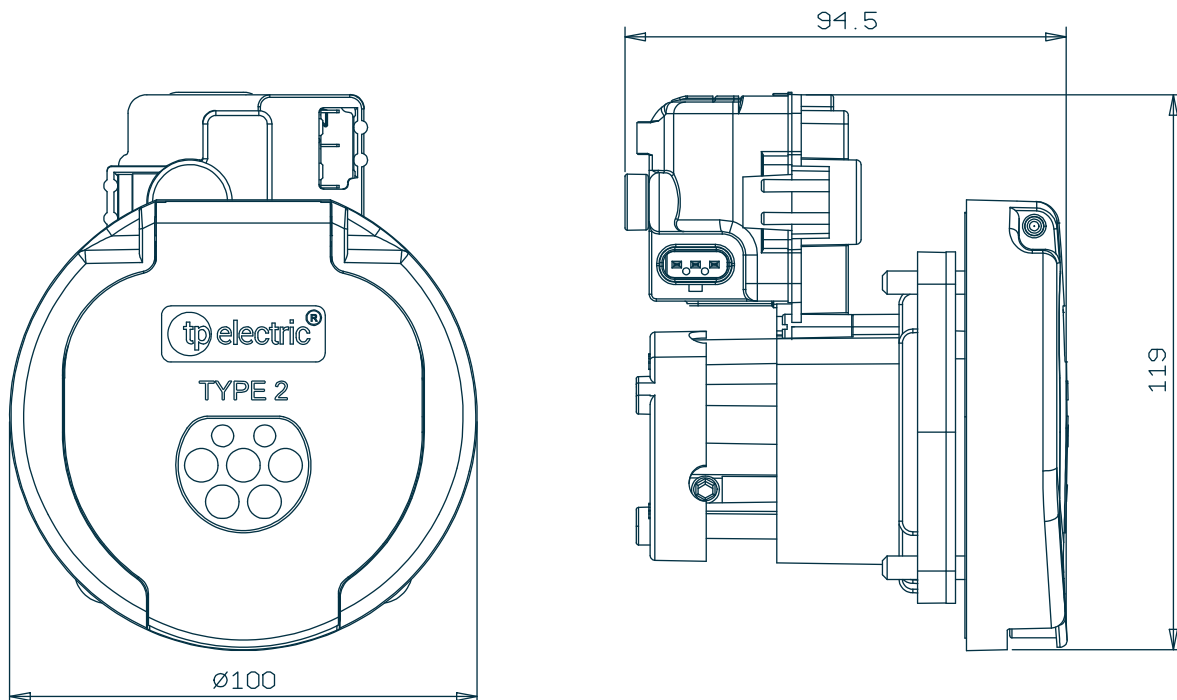


Design

Contacts:	Copper Beryllium + Silver Plated Brass (CuBe ²)
Contact Plating:	3 µm Silver Plated
Ral Code:	RAL 9005
Enclosure Color:	Black
Enclosure Material:	PA6/Strengthened thermo-shape material



Dimensions



Tel: +90 232 880 90 01
Fax: +90 232 880 90 02



info@tpelectric.com.tr



Kemalpaşa O.S.B. 600 Sk. No:364
35730 Kemalpaşa / İZMİR - TURKEY

Technical Data Sheet

Date: 04/26/2022

Page: 2/3

Actuator - Interlocking System

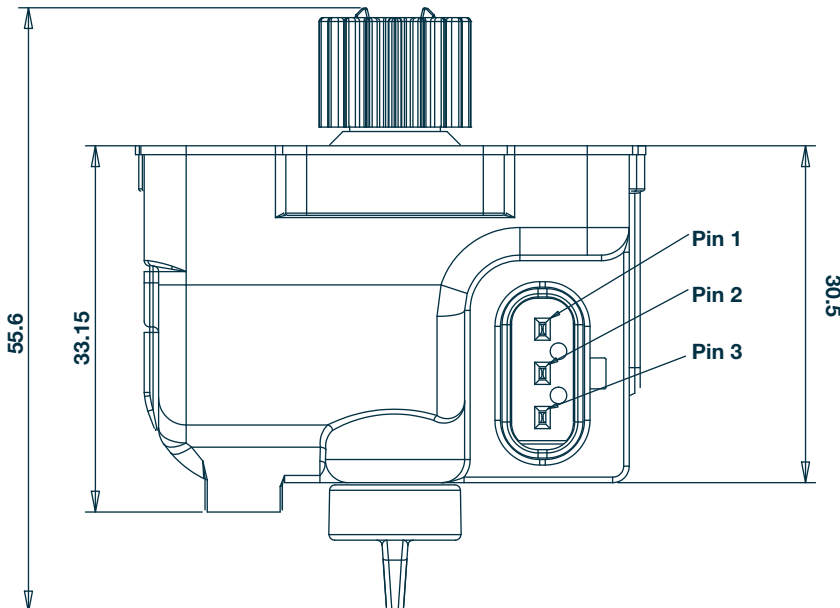
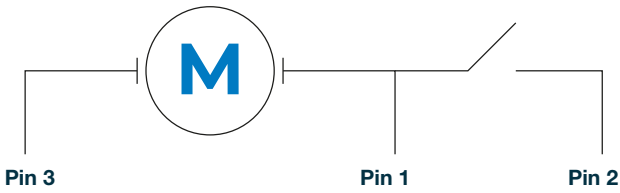
Pole Configuration	3p / PIN 1 "red" (+/-) PIN 2 "blue" (Feedback Signal) PIN 3 "black" (+/-)
Nominal Voltage	12V dc
Operation Voltage	9V + 15,5V dc
Max. Current Consumption	3,2A (Worst Case)
No Load Current	≤ 250mA
Actuating Time	40ms < t < 200ms (Voltage and operating temperature depending, not applicable for continuous power supply)
Stability of Stop Position	≤6°C (With hot-wired motor)
Operating Temp. Range	-30°C + 50°C
Lifetime	60.000 Switching Cycles in Total

Function

Pin 1

Pin 2

Unlocking	-	+
Interlocking	+	-



Tel: +90 232 880 90 01
Fax: +90 232 880 90 02



info@tpelectric.com.tr



Kemalpaşa O.S.B. 600 Sk. No:364
35730 Kemalpaşa / İZMİR - TURKEY

Exploded View

